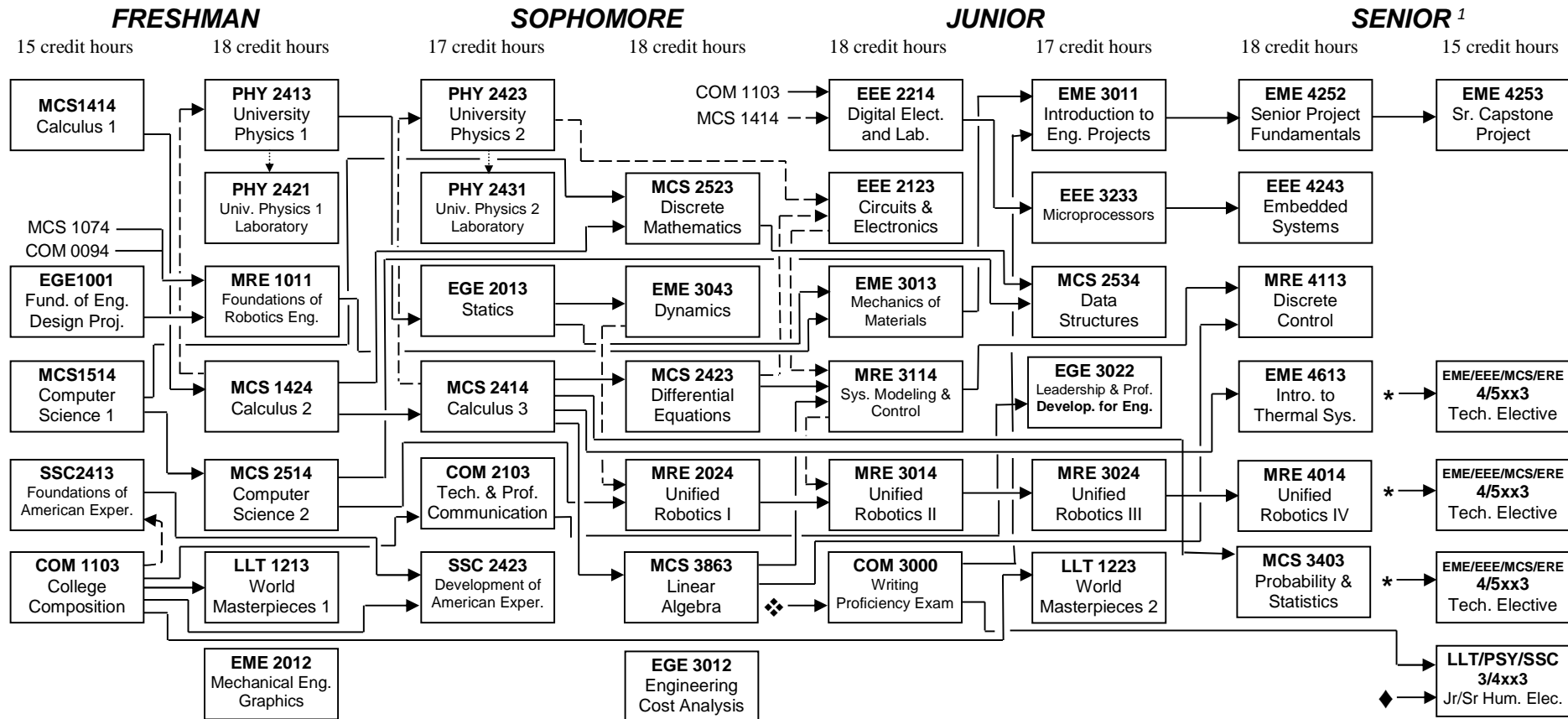


Bachelor of Science in Robotics Engineering (BSRE) Flowchart (Fall 2018, 136 credit hours)



Legend

- 1 —> 2 Prerequisite (course 1 must be taken before course 2)
- 1> 2 Corequisite (courses 1 and 2 must be taken concurrently)
- 1 - - -> 2 Courses 1 and 2 may be taken concurrently or course 1 may be taken first before taking course 2

| Classification | Credit Hrs | |
|----------------|------------|-----------|
| Freshman | 0-29 | |
| Sophomore | 30-59 | |
| Junior | 60-89 | G. Kfoury |
| Senior | 90+ | 5-15-2018 |

¹ All graduating seniors must submit a Petition to Graduate form which is available at the One Stop Center. Form must be submitted at least one semester prior to the semester in which the student plans to graduate. Check deadlines for petitioning to graduate at the Registrar Office webpage.

- * A list of approved technical elective courses is available at the Mechanical Engineering Dept. (room E29).
- ❖ Take exam after completing 3 of the following courses: LLT 1213, LLT 1223, SSC 2413 and SSC 2423.
- ◆ Check Bannerweb to ensure that all course prerequisites, in addition to COM 3000, are satisfied.