



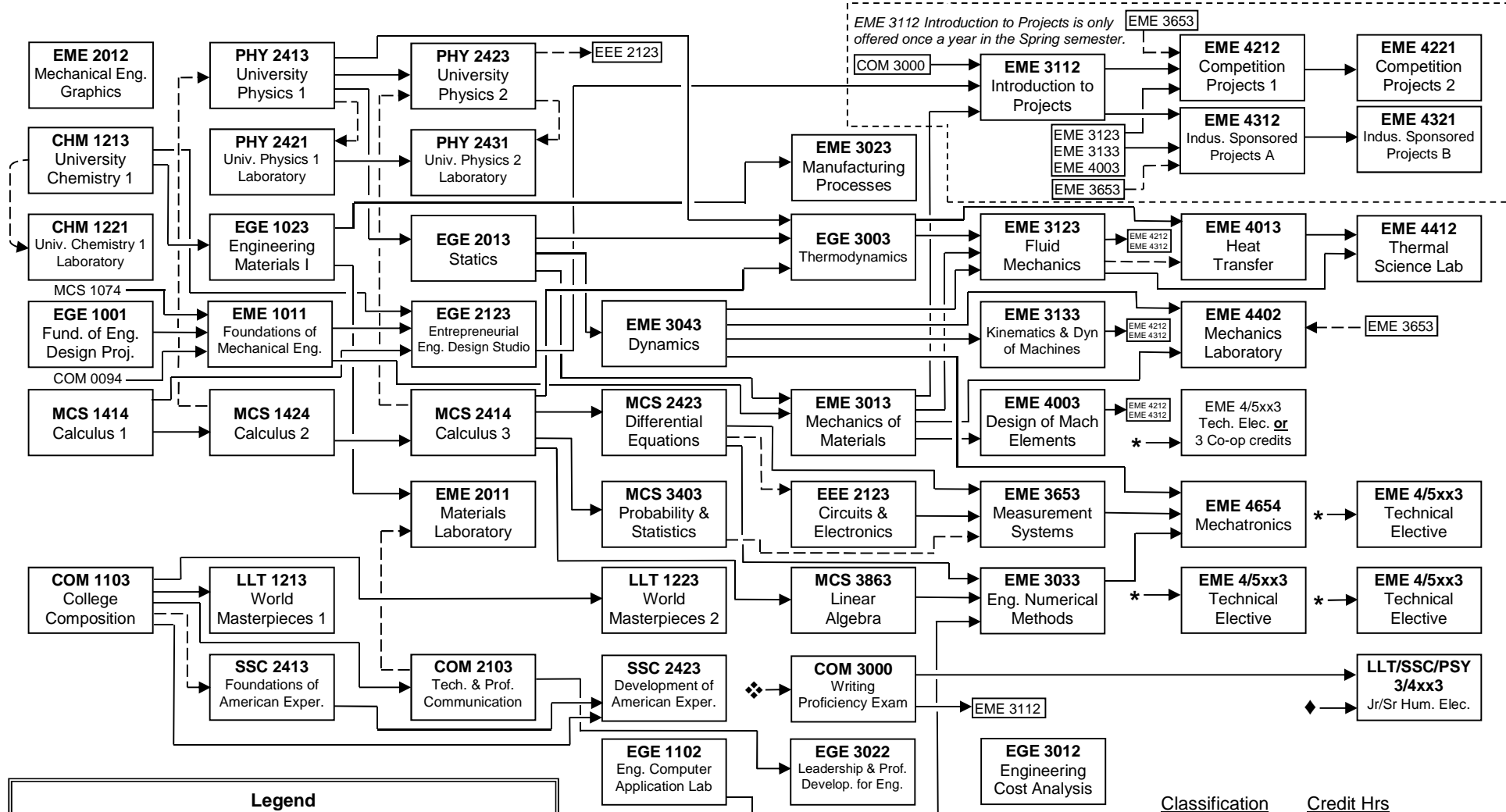
Bachelor of Science in Mechanical Engineering (BSME) Flowchart (Fall 2018, 132 credit hours)

FRESHMAN

SOPHOMORE

JUNIOR

SENIOR¹



EME 3112 Introduction to Projects is only offered once a year in the Spring semester.

Legend

1 ———> 2 Prerequisite (course 1 must be taken before course 2)

1 - - - -> 2 Courses 1 and 2 may be taken concurrently or course 1 may be taken first before taking course 2

Classification	Credit Hrs
Freshman	0-29
Sophomore	30-59
Junior	60-89
Senior	90+

C. Riedel
5-22-2018

¹ All graduating seniors must submit a Petition to Graduate form which is available at the One Stop Center. Form must be submitted at least one semester prior to the semester in which the student plans to graduate. Official petition deadlines can be found at the Registrar Office webpage.

Freshman/Sophomore general education requirements (COM, LLT and SSC courses) must be completed before Junior year (60 credit hours) or you will be placed on probation.

* A list of approved elective courses and concentration areas is available at the Mechanical Engineering Department, room E29.

❖ Take exam after completing 3 of the following courses: LLT 1213, LLT 1223, SSC 2413 and SSC 2423.

◆ Check Bannerweb to ensure that all course prerequisites, in addition to COM 3000, are satisfied.