

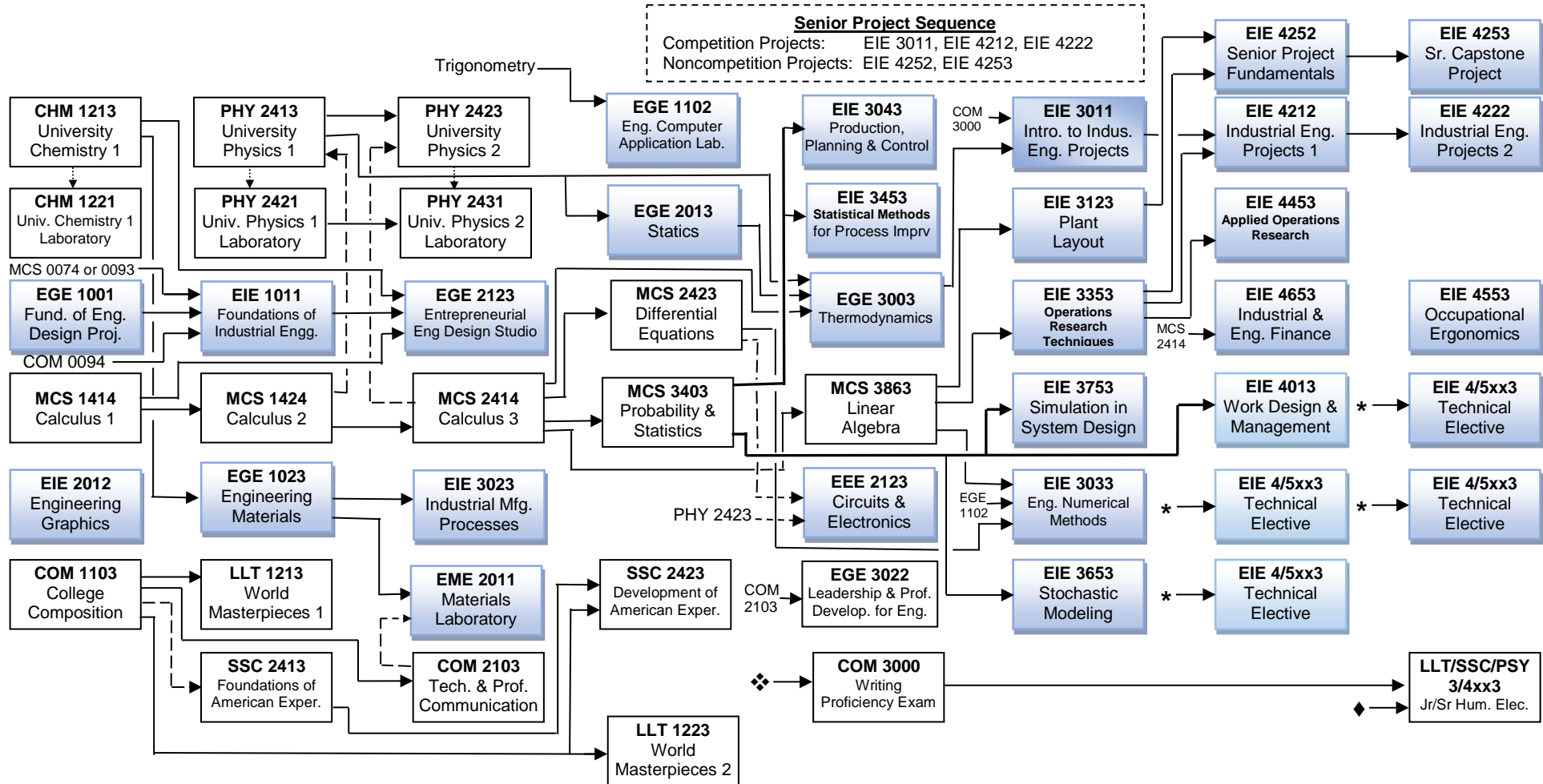
Bachelor of Science in Industrial Engineering (BSIE) Flowchart (Fall 2018, 131 credit hours)

FRESHMAN

SOPHOMORE

JUNIOR

SENIOR¹



Legend

- 1 → 2 Prerequisite (course 1 must be taken before course 2)
- 1 2 Corequisite (courses 1 and 2 must be taken concurrently)
- 1 - - - 2 Courses 1 and 2 may be taken concurrently or course 1 may be taken first before taking course 2

Classification	Credit Hrs
Freshman	0-29
Sophomore	30-59
Junior	60-89
Senior	90+

Ahad Ali
4-20-2017

¹ All graduating seniors must submit a Petition to Graduate form which is available at the One Stop Center. Form must be submitted at least one semester prior to the semester in which the student plans to graduate. Check deadlines for petitioning to graduate at the Registrar Office webpage.

Freshman/Sophomore general education requirements (COM, LLT and SSC courses) must be completed before Junior year (60 credit hours) or you will be placed on probation.

- * A list of approved elective courses is available at the Mechanical Engineering Dept. (room E29).
- ❖ Take exam when 60-80 credit hours have been completed.
- ★ Take during or after Senior Project Sequence.
- ◆ Check Bannerweb to ensure that all course prerequisites, in addition to COM 3000, are satisfied.