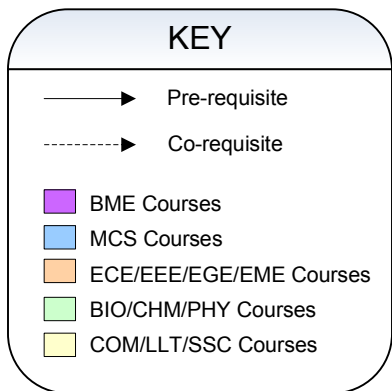
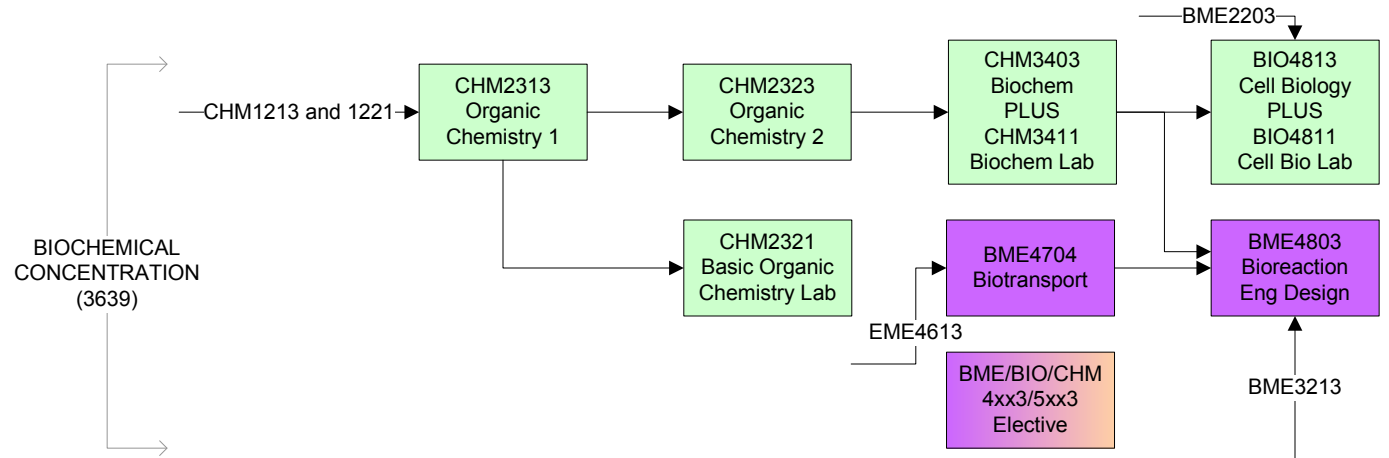
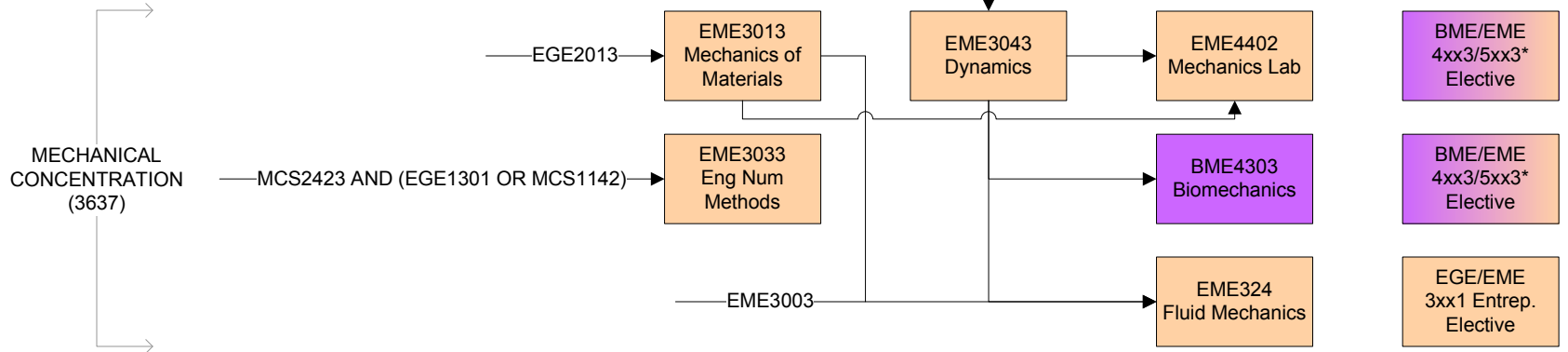
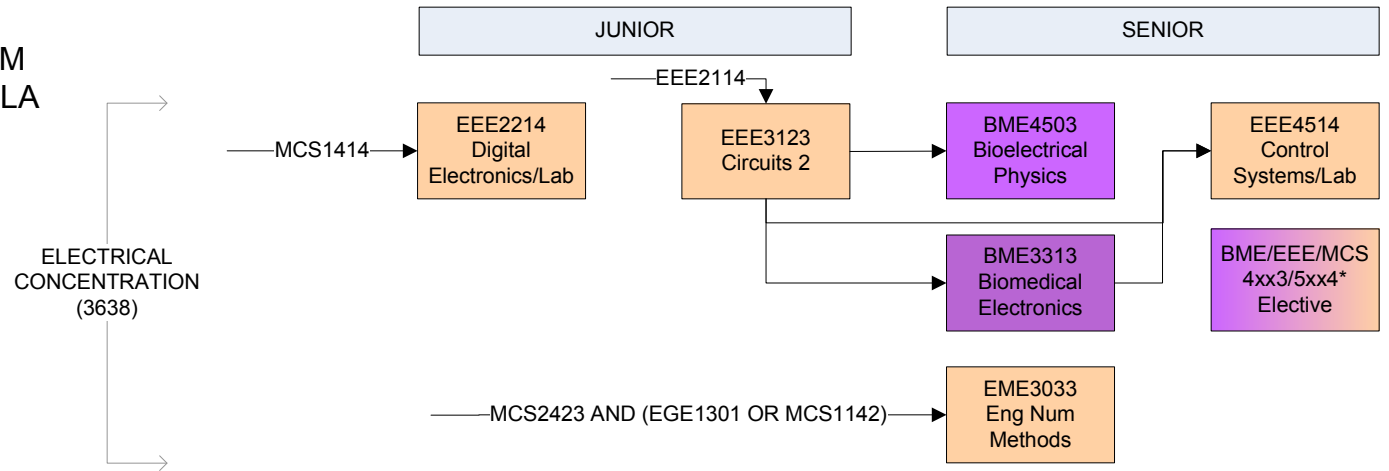


\*\*Note: Cross-listed as BIO2203 and BIO2201  
 †Note: Sophomore standing required

# BIOMEDICAL ENGINEERING PROGRAM CONCENTRATION-SPECIFIC CURRICULA



\*Note: Graduate and non-BME electives require department approval prior to registration